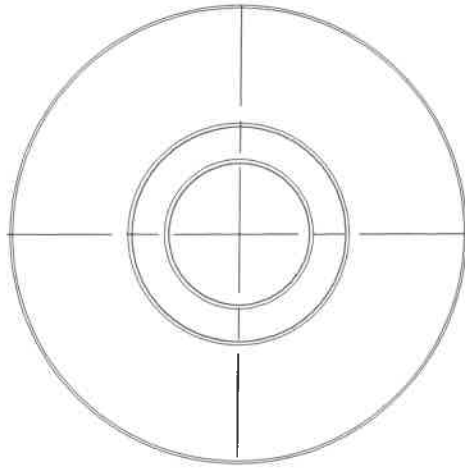
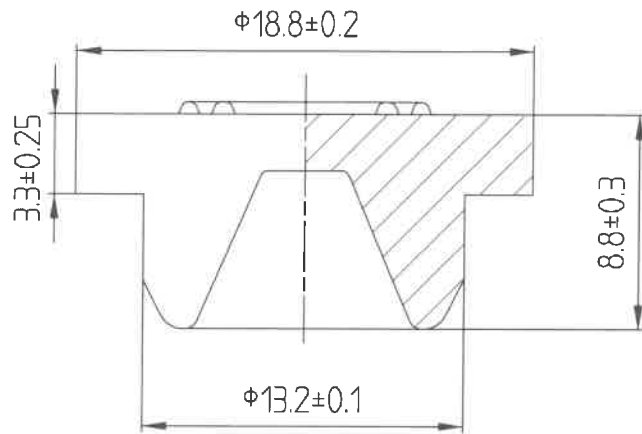


20mm



DRAWING NAME:

Bromobutyl Rubber Stopper

华仁医疗
HUAREN MEDICAL

10 DEC 22

Unit: mm

Quantity

1

Page 1

