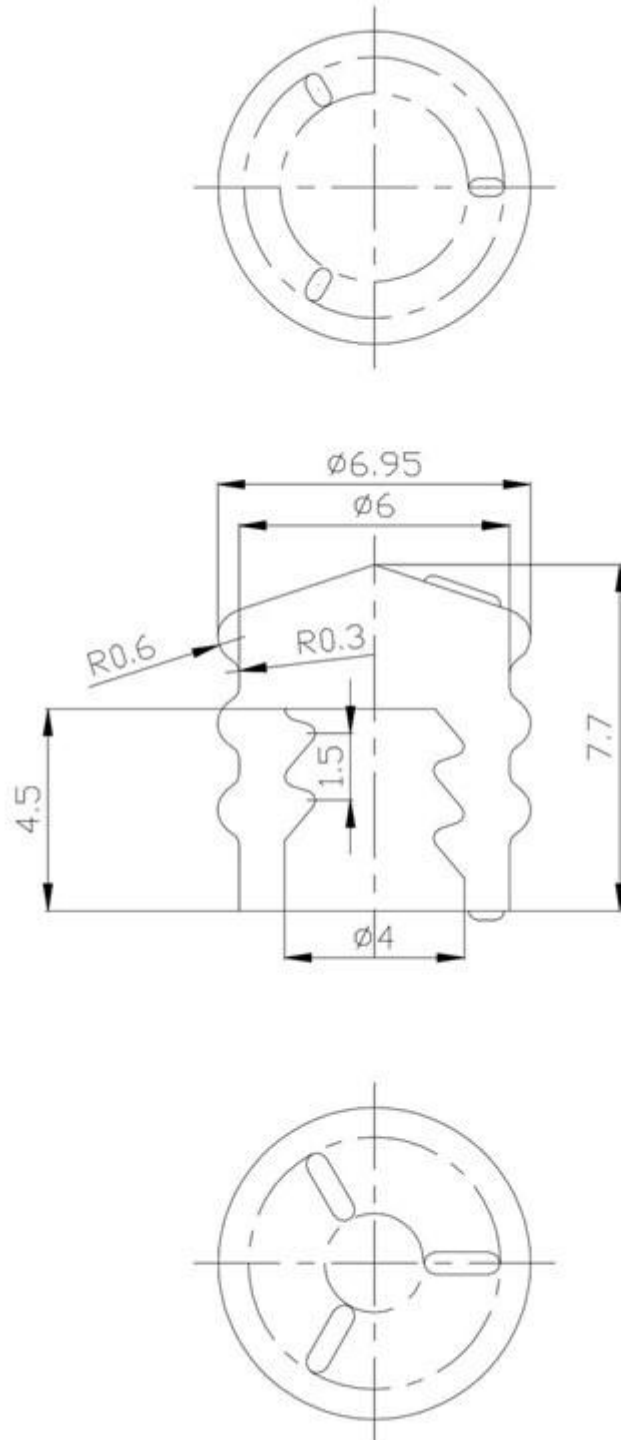


Qingdao Huaren Medical Products Co.,Ltd

Add:NO.187 Zhuzhou Road,Laoshan District,Qingdao , China

Email:chenshengwei@qdhuaeren.com Tel:0086-532-58070673 www.sinohrpp.com

PLUNGER FOR PREFILLED SYRINGE 7MM

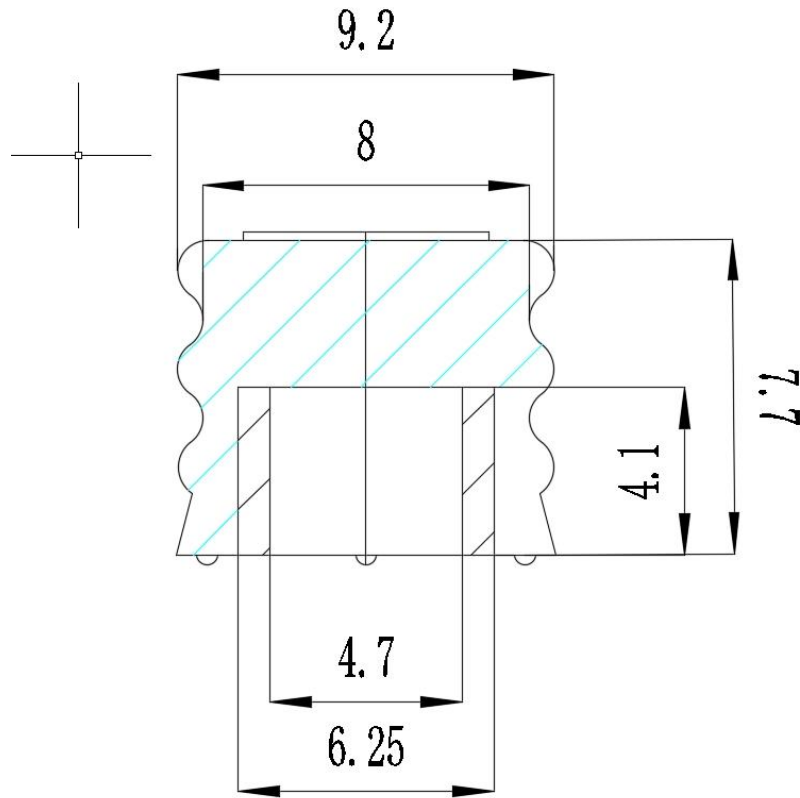


Qingdao Huaren Medical Products Co.,Ltd

Add:NO.187 Zhuzhou Road,Laoshan District,Qingdao , China

Email:chenshengwei@qdhuaeren.com Tel:0086-532-58070673 www.sinohrpp.com

PLUNGER FOR PREFILLED SYRINGE 9MM

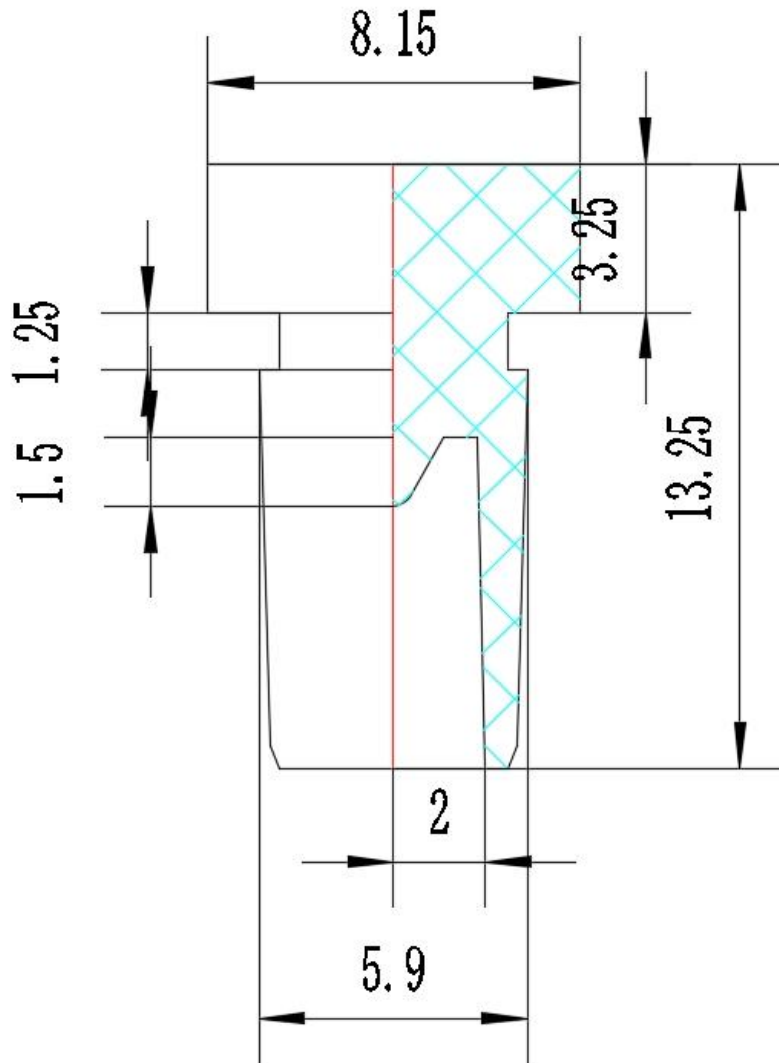


Qingdao Huaren Medical Products Co.,Ltd

Add:NO.187 Zhuzhou Road,Laoshan District,Qingdao , China

Email:chenshengwei@qdhuaeren.com Tel:0086-532-58070673 www.sinohrpp.com

CAPS FOR PREFILLED SYRINGE



Qingdao Huaren Medical Products Co.,Ltd

Add:NO.187 Zhuzhou Road,Laoshan District,Qingdao , China

Email:chenshengwei@qdhuaeren.com Tel:0086-532-58070673 www.sinohrpp.com

LUERLOCK CAPS FOR PREFILLED SYRINGE

