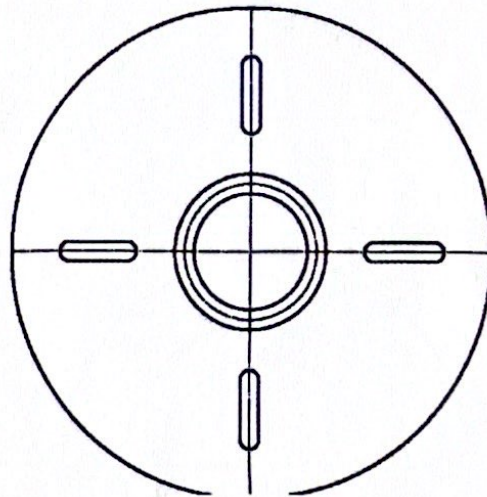
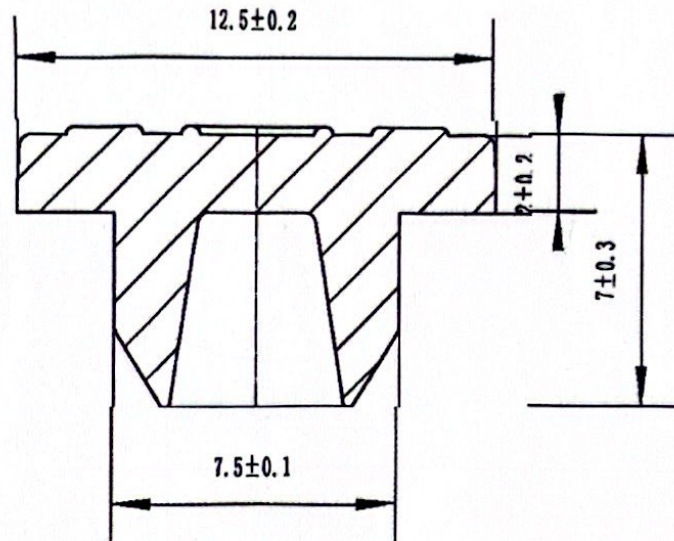



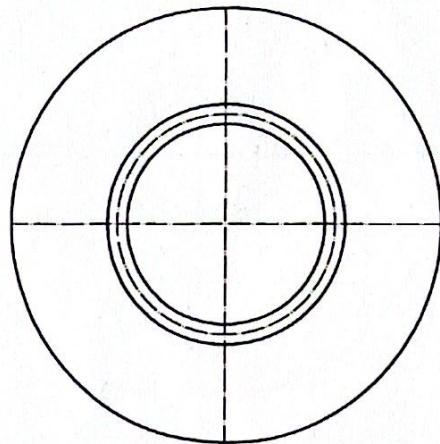
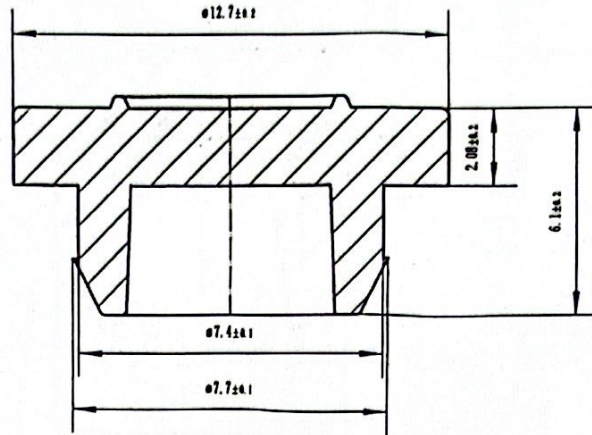
13-A

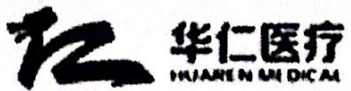



DRAWING NAME	Bromobutyl Rubber Stopper		5 JUL 23
			Unit: mm
Quantity			1

孔 缺 板

13-B



DRAWING NAME Bromobutyl Rubber Stopper	 华仁医疗 HUAREN MEDICAL	5 JUL 23
		Unit: mm
Quantity	1	Page 1