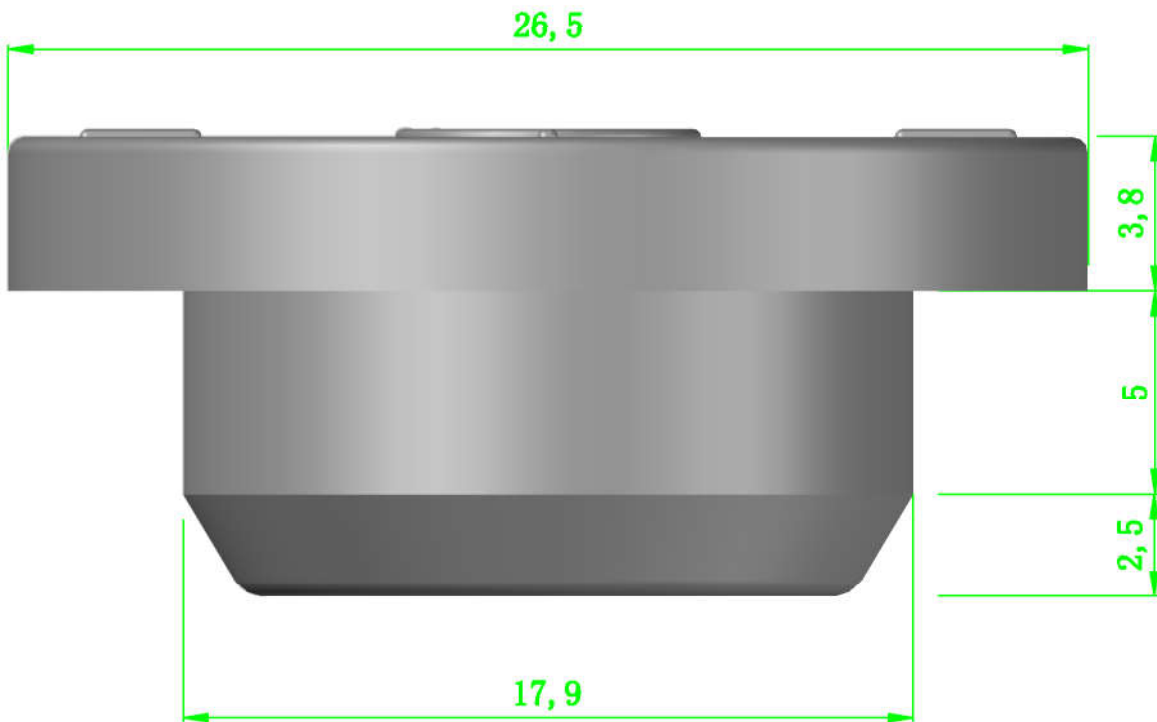




Qingdao Huaren Medical Products Co.,Ltd  
Add:NO.187 Zhuzhou Road,Laoshan District,Qingdao , C h i n a  
Email:chenshengwei@qduaren.com Tel:0086-532-58070673  
www.sinohrpp.com

28-B





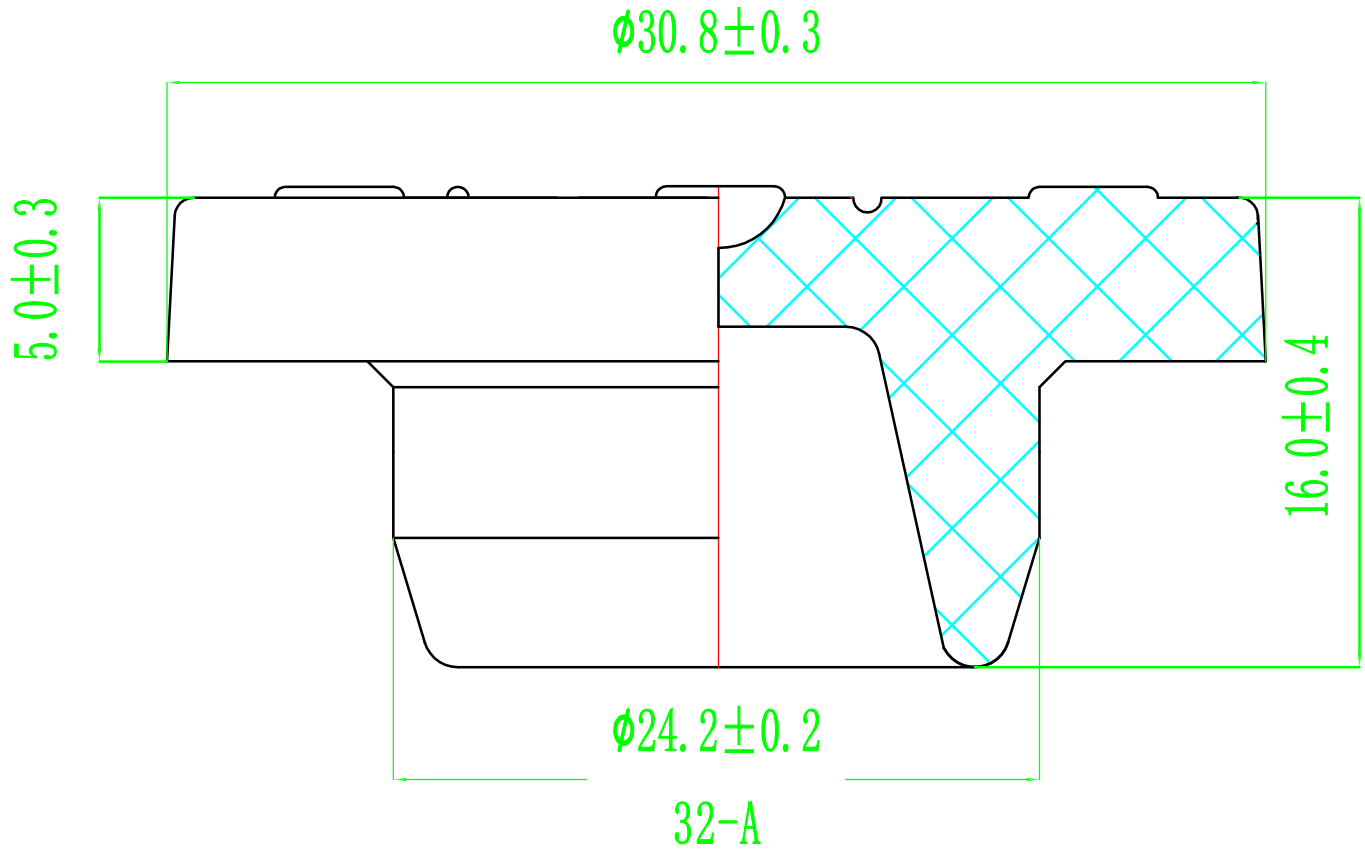
Qingdao Huaren Medical Products Co.,Ltd

Add:NO.187 Zhuzhou Road,Laoshan District,Qingdao,China

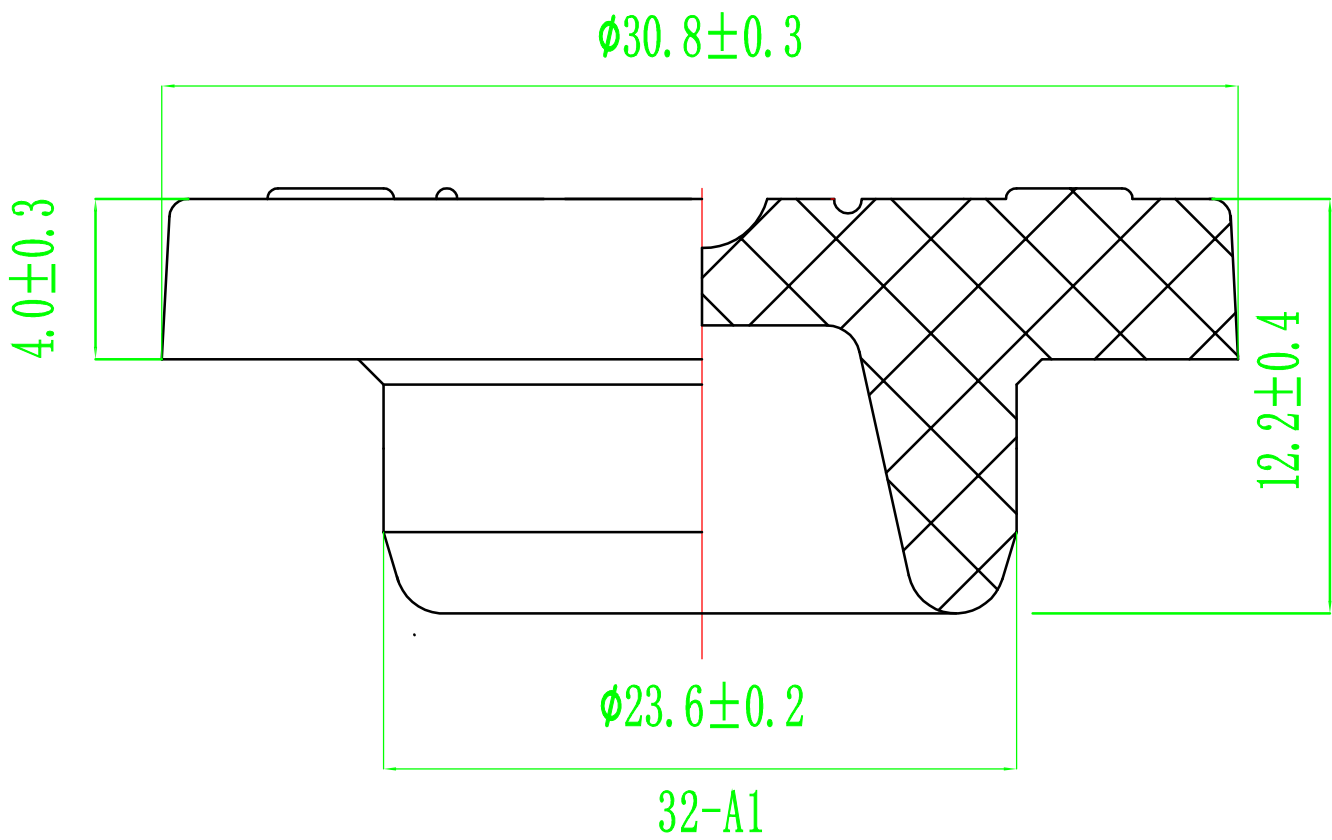
Email:chenshengwei@qduharen.com Tel:0086-532-58070673

www.sinohrpp.com

32-A



32-A1



## INFUSION 注射液类 RUBBER STOPPER

Halogenated Butyl Rubber Stopper for Infusion  
26-B  $\Phi 7$

### Feature

- High cleanliness, High heating aging resistance
- Excellent penetration performance
- Minimum fragment upon piercing
- OEM/ODM can be accepted
- Application in infusion container formula packaging and pharmaceutical

